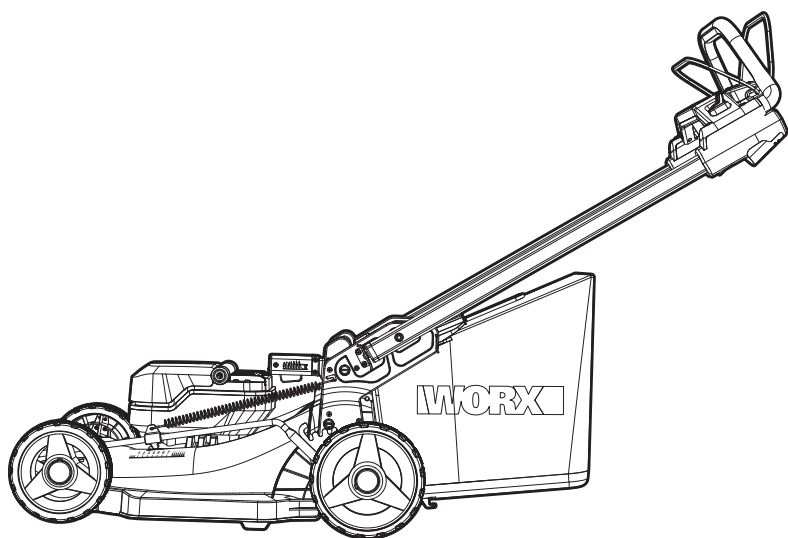


WORX NITRO



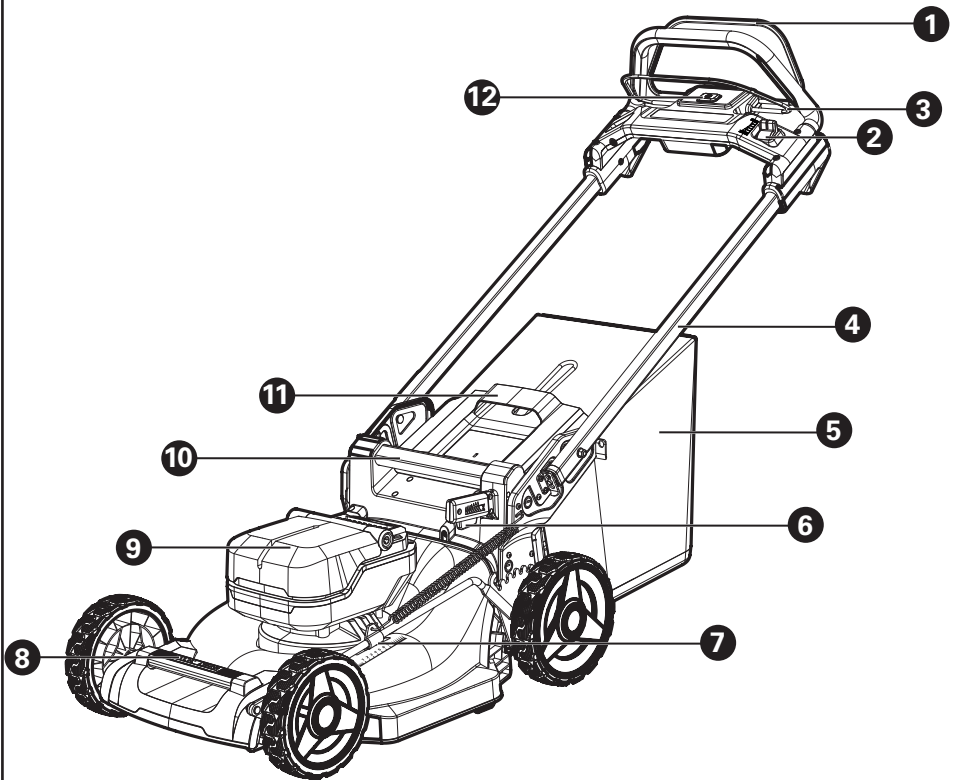
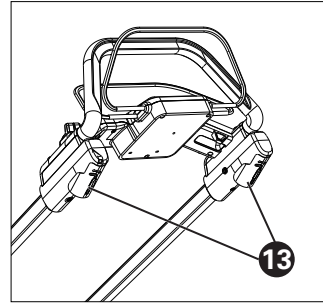
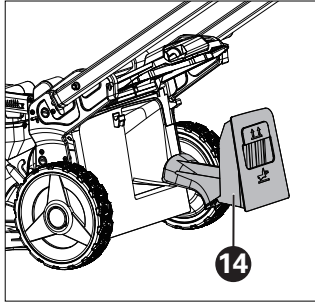
Cordless lawn Mower

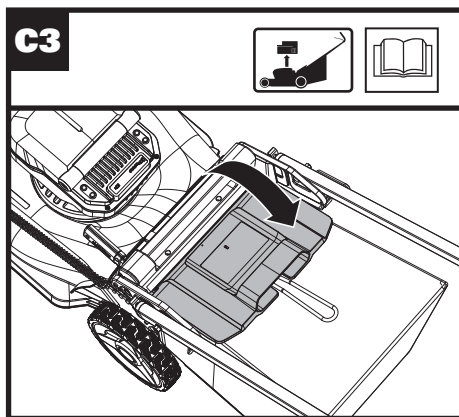
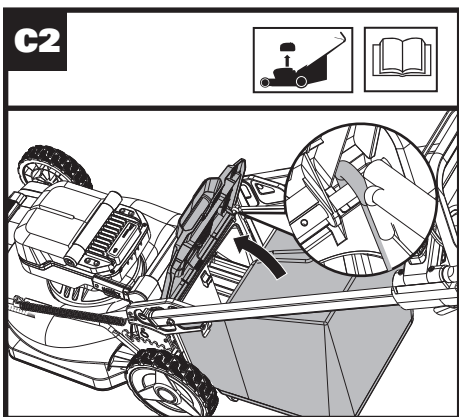
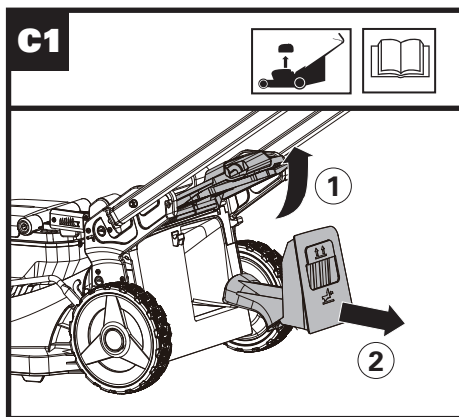
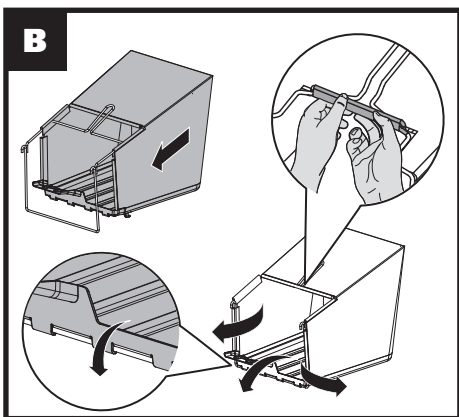
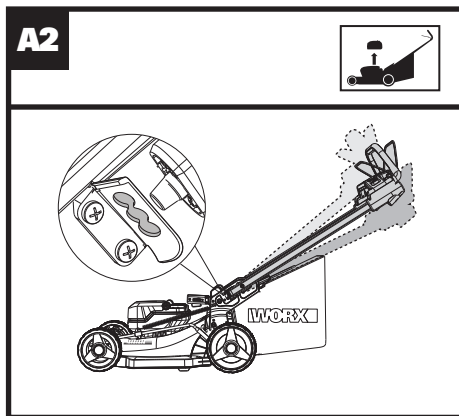
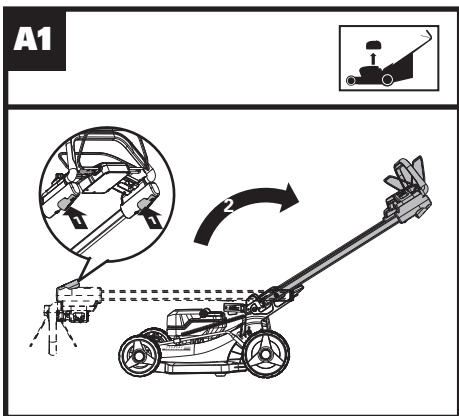
EN P07

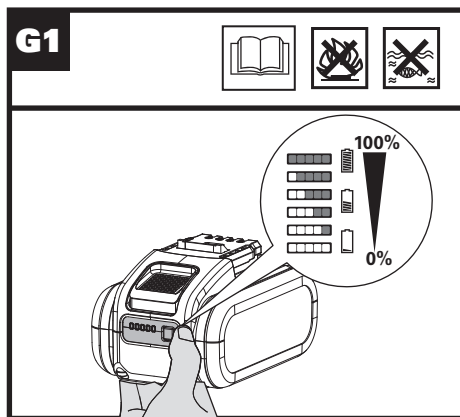
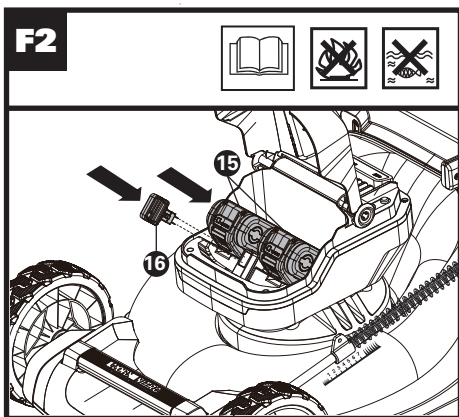
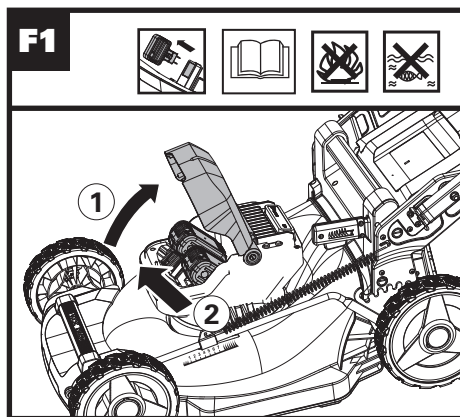
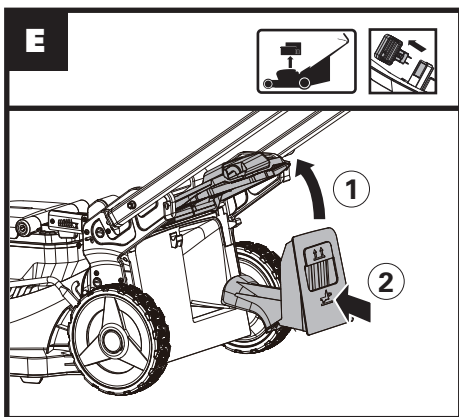
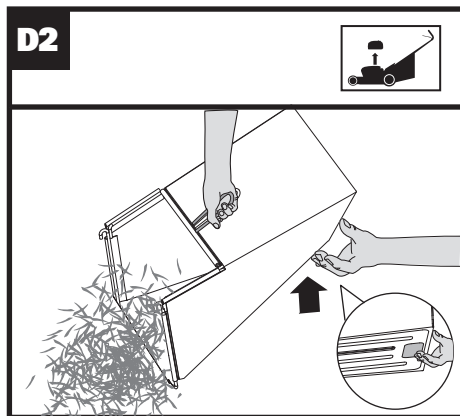
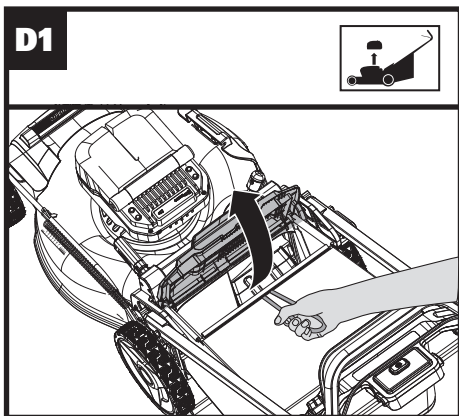
Аккумуляторная газонокосилка

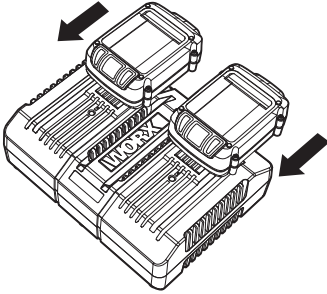
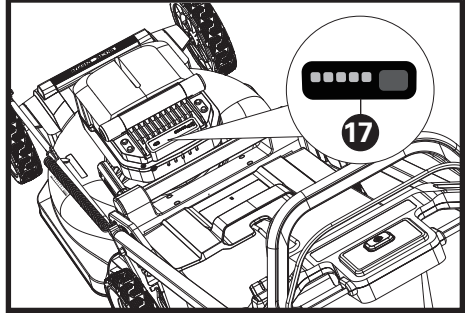
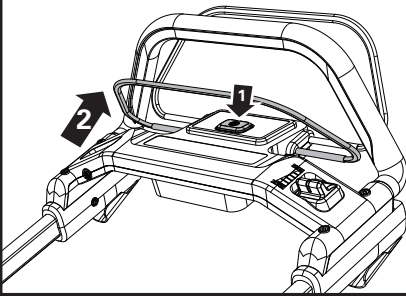
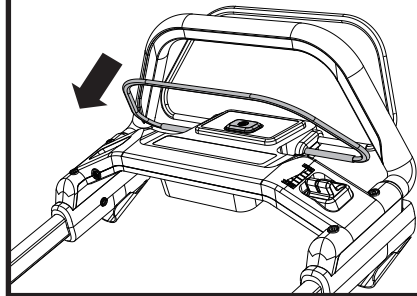
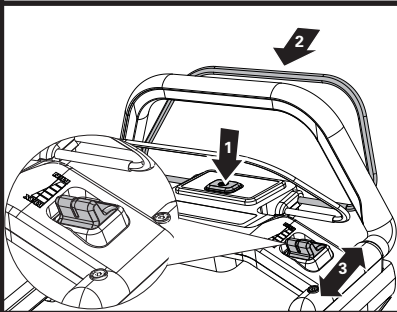
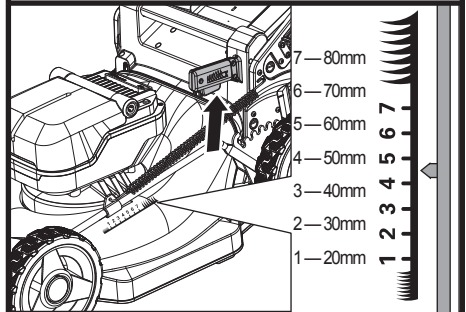
RU P14

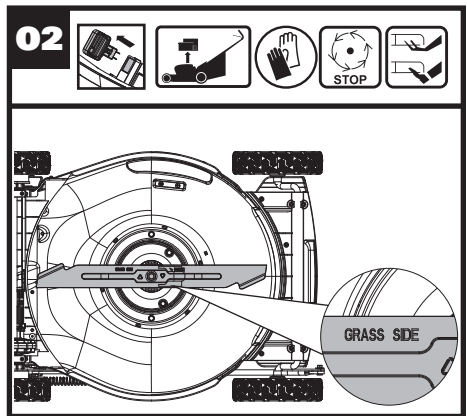
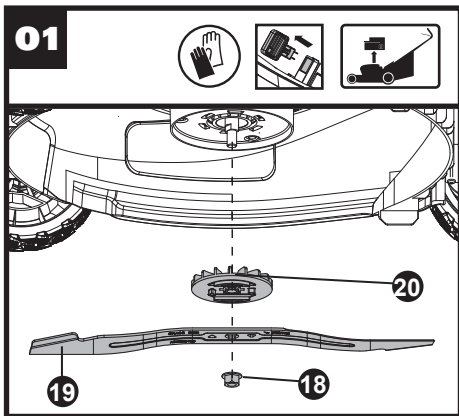
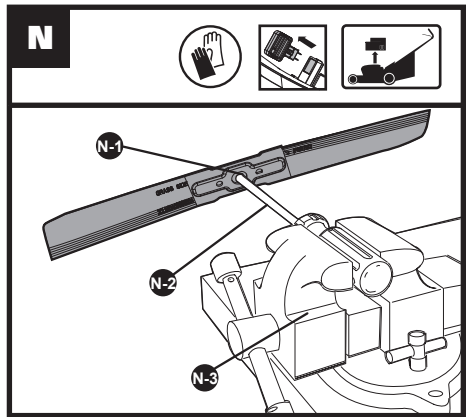
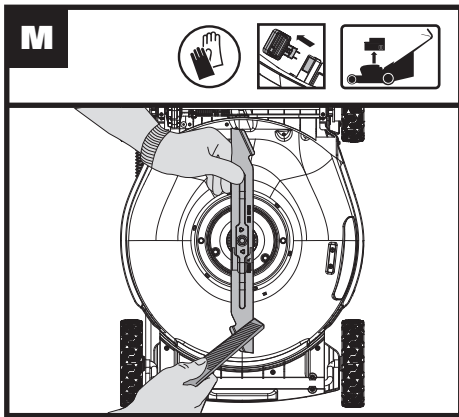
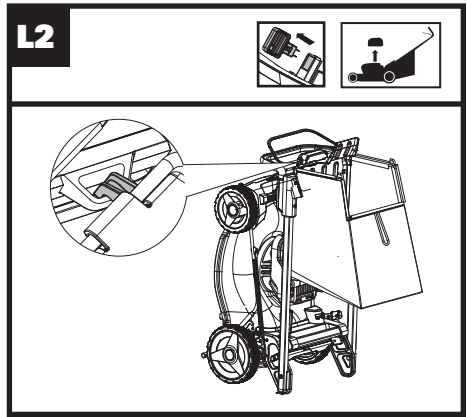
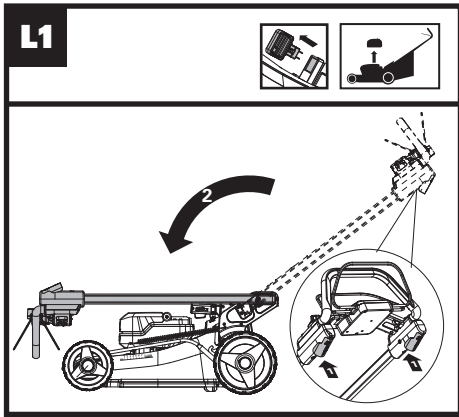
WG749E WG749E.9







G2**H****I1****I2****J****K**



GENERAL SAFETY WARNINGS



WARNING Read all safety warnings and all instructions. Failure to follow the warnings and instructions may result in electric shock, fire and/or serious injury.

Carefully read the instructions for the safe operation of the machine.

Save all warnings and instructions for future reference.

- This appliance is not intended for use by persons (including children) with reduced physical, sensory or mental capabilities, or lack of experience and knowledge, unless they have been given supervision or instruction concerning use of the appliance by a person responsible for their safety.
- Children should be supervised to ensure that they do not play with the appliance.
- The appliance is only to be used with the power supply unit provided with the appliance.

Training

- a) read the instructions carefully. Be familiar with the controls and the proper use of the equipment;
- b) never allow children or people unfamiliar with these instructions to use the lawnmower. Local regulations can restrict the age of the operator;
- c) never mow while people, especially children, or pets are nearby;
- d) keep in mind that the operator or user is responsible for accidents or hazards occurring to other people or their property

Preparation

- a) While mowing, always wear substantial footwear and long trousers. Do not operate the equipment when barefoot or wearing open sandals;
- b) thoroughly inspect the area where the equipment is to be used and remove all objects which can be thrown by the machine;
- c) Before using, always visually inspect to see that the blades, blade bolts and cutter assembly are not worn or damaged. Replace worn or damaged blades and bolts in sets to preserve balance;
- d) On multi-bladed machines, take care as rotating one blade can cause other blades to rotate.

Operation

- a) mow only in daylight or in good artificial light;
- b) avoid operating the equipment in wet grass, where feasible;
- c) always be sure of your footing on slopes;
- d) walk, never run;
- e) for wheeled rotary machines, mow across the face of slopes, never up and down;
- f) exercise extreme caution when changing direction on slopes;
- g) do not mow excessively steep slopes;
- h) use extreme caution when reversing or pulling the lawn mower towards you;
- i) stop the blade(s) if the lawn mower has to be tilted for transportation when crossing surfaces other

than grass, and when transporting the lawn mower to and from the area to be mowed;

- j) never operate the lawn mower with defective guards, or without safety devices, for example deflectors and/or grass catchers, in place;
- k) switch on the motor carefully according to instructions and with feet well away from the blade(s);
- l) do not tilt the lawn mower when switching on the motor, except if the lawnmower has to be tilted for starting. In this case, do not tilt it more than absolutely necessary and lift only the part which is away from the operator;
- m) do not put hands or feet near or under rotating parts. Keep clear of the discharge opening at all times;
- n) never pick up or carry a lawn mower while the motor is running;
- o) not to touch the blades before the disabling device has been removed and the blades have come to a complete stop;
- p) to remove the disabling device
 - whenever you leave the machine;
 - before clearing a blockage;
 - before checking, cleaning or working on the machine;
 - after striking a foreign object, inspect the lawn mower for damage and make repairs as necessary;
 - if the lawnmower start to vibrate abnormally (check immediately);

Maintenance and storage


- a) keep all nuts, bolts and screws tight to be sure the equipment is in safe working condition;
- b) check the grass catcher frequently for wear or deterioration;
- c) replace worn or damaged parts for safety;
- d) ensure that only replacement cutting means of the right type are used;

SAFETY WARNINGS FOR BATTERY PACK




- a) Do not dismantle, open or shred cells or battery pack.**
- b) Do not short-circuit a battery pack. Do not store battery packs haphazardly in a box or drawer where they may short-circuit each other or be short-circuited by conductive materials.** When battery pack is not in use, keep it away from other metal objects, like paper clips, coins, keys, nails, screws or other small metal objects, that can make a connection from one terminal to another. Shorting the battery terminals together may cause burns or a fire.
- c) Do not expose battery pack to heat or fire. Avoid storage in direct sunlight.**
- d) Do not subject battery pack to mechanical shock.**
- e) In the event of battery leaking, do not allow the liquid to come into contact with the skin**

or eyes. If contact has been made, wash the affected area with copious amounts of water and seek medical advice.

- f) Keep battery pack clean and dry.
- g) Wipe the battery pack terminals with a clean dry cloth if they become dirty.
- h) Battery pack needs to be charged before use. Always refer to this instruction and use the correct charging procedure.
- i) Do not maintain battery pack on charge when not in use.
- j) After extended periods of storage, it may be necessary to charge and discharge the battery pack several times to obtain maximum performance.
- k) Recharge only with the charger specified by WorxNITRO. Do not use any charger other than that specifically provided for use with the equipment.
- l) Do not use any battery pack which is not designed for use with the equipment.
- m) Keep battery pack out of the reach of children.
- n) Retain the original product literature for future reference.
- o) Remove the battery from the equipment when not in use.
- p) Dispose of properly.
- q) Do not mix cells of different manufacture, capacity, size or type within a device.
- r) Keep the battery away from microwaves and high pressure.

	Batteries may enter water cycle if disposed improperly, which can be hazardous for ecosystem. Do not dispose of waste batteries as unsorted municipal waste.
	Do not burn
 Li-Ion  Li-Ion	Li-Ion battery This product has been marked with a symbol relating to 'separate collection' for all battery packs and battery pack. It will then be recycled or dismantled in order to reduce the impact on the environment. Battery packs can be hazardous for the environment and for human health since they contain hazardous substances.
	Wear protective gloves.
	Remove battery from the socket before carrying out any adjustment, servicing or maintenance.
	Remove the key
	Blade continues to rotate after the machine is switched off. Wait until all machine components have completely stopped before touching them

SYMBOLS

	Read instruction handbook before operation this machine
	Keep bystanders away.
	Beware of sharp blades. Blades continue to rotate after the motor is switched off- Remove disabling device before maintenance

COMPONENT LIST

1. SELF-PROPEL SPEED-CONTROL LEVER
2. SELF-PROPEL SPEED CONTROL
3. OPERATING BAIL
4. HANDLE BAR
5. GRASS COLLECTION BAG
6. CUTTING HEIGHT ADJUSTMENT LEVER
7. CUTTING HEIGHT ADJUSTMENT POINTER
8. FRONT HANDLE

9. BATTERY PACK COVER
10. REAR HANDLE
11. SAFETY FLAP
12. SAFETY LOCK-OUT BUTTON
13. QUICK-RELEASE BUTTON
14. MULCHING INSERT
15. BATTERY PACK* (SEE FIG. C2)
16. SAFETY KEY (SEE FIG. F2)
17. POWER INDICATOR LIGHT(SEE FIG. H)
18. BLADE BOLT (SEE FIG. O1)
19. BLADE (SEE FIG.O1)
20. SPACER (SEE FIG. O1)

***Not all the accessories illustrated or described are included in standard delivery.**

TECHNICAL DATA

Type WG749E WG749E.9(7- *designation of machinery, representative of Cordless Lawn Mower*)

	WG749E	WG749E .9
Voltage	40V Max.(2x20V Max.)**	
No load speed	2800/min	
Deck width	48 cm	
Cutting width	46 cm	
Front wheel diameter	200 mm	
Rear wheel diameter	230 mm	
Cutting height	20 – 80 mm	
Cutting height positions	7	
Grass collection capacity	55 L	
Battery capacity	4.0 Ah (WA3014)	/
Battery type	Lithium-Ion	/
Charger Model	WA3883	/

Charger rating	Input: AC 100-240V~50/60 Hz Output 1: 20 V 2.0 A*** Output 2: 20 V 2.0 A***	/
Charging time (approx.) 4.0 Ah (1 pc) 4.0 Ah (2 pcs)	1 hr 2 hrs	/
Machine Weight	28.7 kg	27.3 kg

** Voltage measured without workload. Initial battery voltage reaches maximum of 20 volts. Nominal voltage is 18 volts.

*** Charger output 1 and output 2 mean two ports with the same output voltage and current.

ACCESSORIES

	WG749E	WG749E .9
Battery pack (WA3014)	2	/
Charger (WA3883)	1	/
Grass collection bag	1	
Mulching insert	1	

We recommend that you purchase your accessories from the same store that sold you the tool. Choose the type according to the work you intend to undertake. Refer to the accessory packaging for further details. Store personnel can assist you and offer advice.

NOISE DATA

A weighted sound pressure	$L_{pA} = 78.4 \text{ dB(A)}$
K_{pA}	3.0 dB (A)
A weighted sound power	$L_{WA} = 91.6 \text{ dB(A)}$
K_{WA}	3.0 dB (A)

Wear ear protection



VIBRATION INFORMATION

Typical weighted vibration $a_n < 2.5 \text{ m/s}^2$

Uncertainty $K = 1.5 \text{ m/s}^2$

WARNING: The vibration emission value during actual use of the power tool can differ from the declared value depending on the ways in which the tool is used dependant on the following examples and other variations on how the tool is used:

How the tool is used and the materials being cut or drilled.

The tool being in good condition and well maintained.

Using the correct accessory for the tool and ensuring it is sharp and in good condition.

The tightness of the grip on the handles and if any anti vibration accessories are used.

And the tool is being used as intended by its design and these instructions.

This tool may cause hand-arm vibration syndrome if its use is not adequately managed

WARNING: To be accurate, an estimation of exposure level in the actual conditions of use should also take account of all parts of the operating cycle such as the times when the tool is switched off and when it is running idle but not actually doing the job. This may significantly reduce the exposure level over the total working period.

Helping to minimise your vibration exposure risk.

ALWAYS use sharp chisels, drills and blades.

Maintain this tool in accordance with these instructions and keep well lubricated (where appropriate).

If the tool is to be used regularly then invest in anti vibration accessories.

Plan your work schedule to spread any high vibration tool use across a number of days.

OPERATION INSTRUCTION



NOTE: Read instruction handbook before operation this machine.

INTENDED USE

This product is intended for domestic lawn mowing.

ASSEMBLY & OPERATION

ACTION	FIGURE
ASSEMBLY	
Assembling the handle bar & Adjusting Handle's height NOTE: Press and hold Quick-release button during operation.	See Fig. A1, A2
Assembling the grass collection bag	See Fig. B

Assembling the grass collection bag to the lawn mower
NOTE: Depress the grass collection bag slightly to ensure that it is completely installed.
NOTE: Take the mulching insert out of the lawn mower before fitting the grass collection bag.

See Fig. C1, C2, C3

Removing/emptying grass collection bag
WARNING! Always check the safety flap close the discharge outlet before using. Never lift the safety flap when the lawn mower is being used without fitted grass collection bag.

See Fig. D1,D2

Installing mulching insert

See Fig. E

Removing /fitting the battery pack
Insert the safety key before installing the battery pack.
NOTE: This machine will only run when sp - batteries are installed. It is recommended to use the same AH batteries and charge the two batteries at the same time.
When you use two batteries with different AH, the machine will only run to the lower common denominator.

See Fig. F1, F2

Checking the battery charge condition
NOTE: Fig. G1 only applies for the battery pack with battery indicator light.

See Fig.G1

Charging the battery pack
NOTE: The batteries are shipped uncharged. Each battery must be fully charged before the first mow. Always fully charge the two batteries at same time. More details can be found in charger's manual.


See Fig.G2

OPERATION

Power indicator light See details in BATTERY STATUS part IMPORTANT: When only one light is illuminated, your battery is overly discharged, even though the machine may still be capable to work. Continuing to operate your machine with the battery in this discharged condition may reduce the life and performance of your battery. When no light is illuminated, at least one battery is not fully installed or battery may be defective, please double check the batteries are fully seated into position.	See Fig.H
--	-----------

Starting and Stopping	See Fig.I1,I2
-----------------------	---------------

Operating the self-propel system	See Fig. J
----------------------------------	------------

Adjusting the cutting height  WARNING! Stop, release Operating Bail and wait until the motor stops before adjusting height. The blades continue to rotate after the machine is switched off, a rotating blade can cause injury. Do not touch rotating blades.	See Fig. K
---	------------

Storage	See Fig.,L1,L2
---------	----------------

BATTERY STATUS (See Fig. H)

- Before starting or after use, press the button beside the power indicator light on the machine to check the battery capacity.
- During operation, the battery capacity will be indicated automatically by the battery power indicator. The indicator constantly senses and displays the battery condition as follows.
- Charge the machine with 2 battery packs with different AH, the power indicator light displays the battery condition with the lower one of the two batteries.

Battery indicator light status	Battery condition
Five green lights (●●●●●) are illuminated.	The two batteries are in a highly charged condition.
Two, three or four green lights are illuminated.	The two batteries have a remaining charge. The more lights are illuminated, the more battery capacity.

Only one green light (●○○○○) is illuminated.	The battery level of at least one battery pack is very low. Please check and charge the battery pack.
--	---

No light is illuminated.	At least one battery is not fully installed or battery may be defective.
--------------------------	--

Only one light is flashing twice per cycle.	At least one battery is over discharged (please refer to the battery charge condition), please recharge the two batteries at once before use again or storage.
---	--

Only one light is flashing three times per cycle.	At least one battery is hot, wait for them cool down before start again.
---	--

Only one light is flashing four times per cycle.	The machine is over load. Raise the cutting height or push slowly.
--	--

MULCHING MOWING TIPS

While mulching, your new mower is designed to cut the grass clippings into small pieces and distribute them back into the lawn. Under normal conditions, the mulched grass will biodegrade quickly and deliver nutrients to the lawn. Please review the following recommendations for optimum mulching performance.

- 1) Avoid mowing when the grass is wet from rain or dew. Wet grass may form clumps which interfere with the mulching action and reduce the runtime. The best time to mow the grass is in the late afternoon when the grass is dry and the newly cut area will not be exposed to direct sunlight.
- 2) For the best mulching performance, set the cutting height to remove about one third of the grass blade length, ideally no more than 40mm at one time. If the lawn is overgrown, it may be necessary to increase the cutting height to reduce the pushing effort and prevent overloading the motor. For extremely heavy mulching, it is advisable to first cut at a high cut height setting, and then re-cut to the final cut height. Otherwise, make narrower cuts and mow slowly.
- 3) For the best performance, keep the mower housing free of built-up grass. From time to time turn off mower and wait for the blades to come to a complete stop. Then Remove the safety key and turn mower on its side. Using an object such as a stick, wipe out any accumulation of grass around the blade area. Be careful of the sharp edges of the blade. Ensure to clean the blade area often when cutting wet or new grass and every time after the machine is used.
- 4) Certain types of grass or grass conditions may require that an area be mulched a second time to fully disperse the grass throughout the lawn. If cutting a second time, it is advisable to cut perpendicular (across) the first cut pattern. DO NOT CHANGE CUT PATTERN IN ANY WAY THAT WOULD CAUSE MOWING DOWN A HILL.

- 5) Change your cutting pattern from week to week. This will help prevent matting and graining of the lawn.

CUTTING AREA

The cutting area can be affected by several factors, such as cutting height, lawn humidity, grass length and density. Besides, starting and stopping the mower too many times during operation will reduce the cutting area.

The table below gives the relationship between cutting conditions and cutting area.

Cutting Height	Recommend lot size (maximum)
Cutting off 8cm to 6cm	With 2*20V / 4.0Ah batteries
	up to 500m ² *

* Used with two fully charged battery packs.

TIPS:

- 1) It is recommended to mow your lawn more frequently, walk at normal pace, and not to start/stop the mower too often during operation.
- 2) For best performance, please ensure use two fully charged battery packs at the same time and always cut off 1/3 or less of the grass height.
- 3) Walk slowly when cutting long grass, so as to have more effective cutting and properly discharge the clippings.
- 4) Avoid cutting wet grass, otherwise it will stick to the underside of the deck and the clippings cannot be collected or discharged properly.
- 5) A higher cutting height shall be applied to new or thick grass and it will extend the battery duration.

MAINTENANCE

WARNING: Stop the mower, remove the safety key and batteries before removing the grass collection bag.

Note: To ensure long and reliable service, perform the following maintenance procedures regularly. Check for obvious defects such as a loose, dislodged or a damaged blade, loose fittings, and worn or damaged components. Check that the covers and guards are all undamaged and are correctly attached to mower. Carry out any necessary maintenance or repairs before operating mower. If the mower should happen to fail despite regular maintenance, please call our customer helpline for advice.

BLADE SHARPENING

KEEP BLADE SHARP FOR BEST MOWER PERFORMANCE. A DULL BLADE DOES NOT CUT GRASS CLEANLY OR MULCH PROPERLY. WEAR PROPER EYE PROTECTION WHILE REMOVING, SHARPENING, AND INSTALLING BLADE. ENSURE THAT SAFETY KEY AND BATTERIES ARE REMOVED.

Sharpening the blade twice during a mowing season is usually sufficient under normal circumstances. Sand causes the blade to dull quickly. If your lawn has sandy soil, more frequent sharpening may be required.

REPLACE BENT OR DAMAGED BLADE IMMEDIATELY.

WHEN SHARPENING THE BLADE (See Fig. M)

1. Make sure blade remains balanced.
2. Sharpen blade at the original cutting angle.
3. Sharpen cutting edges on both ends of blade to keep it balanced, removing equal amounts of material from both ends.

Note:

1. Be sure the mower is turned off. Remove the key and batteries.
2. Place the mower in stand up storage mode.

BLADE BALANCING (See Fig. N)

Check balance of blade by placing center hole in blade N-1 over a screwdriver shank N-2, clamped horizontally in a vise N-3. If either end of the blade rotates downward, file that end. Blade is properly balanced when neither end drops.

BLADE MAINTENANCE (See Fig. O1, O2)

Replace your Mower Blade after 50 hours mowing or 2 years, whichever is the sooner-regardless of condition.

Follow these procedures to remove and replace the Blade. You will need garden gloves (not provided) and a spanner wrench (not provided) to remove the Blade. Make sure safety key and batteries are not installed. Wedge a block of wood between the blade and the mower deck to prevent the blade from turning and unscrew the Blade Bolt counter-clockwise using a spanner wrench, and then remove the Blade.

To re-assemble, position the Blade with the cutting edges towards the ground. Then securely tighten the Blade Bolt.

STORAGE (See Fig. L1, L2)

Stop the mower, and always remove the Safety Key and batteries. Clean the exterior of the machine thoroughly using a soft brush and cloth. Do not use water, solvents or polishes. Remove all grass and debris, especially from the ventilation slots.

Turn the machine on its side and clean the blade area. If grass cuttings are compacted in the blade area, remove with a wooden or plastic implement.

Store the machine in a dry place. Do not place other objects on top of the machine.

To aid storage, Press and hold Quick-release button, and fold the Handle bar.

TROUBLESHOOTING

PROBLEM	SOLUTION
1. Mower doesn't run when Operating Bail is activated.	A. Check to make sure safety key has been installed and is fully seated and that Safety lock-out button is completely pushed. B. Release Operating Bail to turn mower off. Remove safety key and batteries, turn mower over and check that blade is free to turn. If not free, return to an authorized servicer. Blade should turn freely. C. Has battery been fully charged? Plug in charger and wait for green light to come on.

2. Motor stops while mowing.	<p>A. Release Operating Bail to turn mower off. Remove safety key and batteries, turn mower over and check that blade is free to turn. If not free, return to an authorized servicer. Blade should turn freely.</p> <p>B. Raise cutting height of wheels to highest position and start mower.</p> <p>C. Has battery been fully charged? Plug in charger and wait for green light to come on.</p> <p>D. Avoid overloading the mower. Slow down the cutting pace by pushing mower slower or raise the cut height. Or both.</p>
3. Mower runs but cutting performance is unsatisfactory, or does not cut entire lawn.	<p>A. Has battery been fully charged? Plug in charger and wait for green light to come on."</p> <p>B. Release Operating Bail to turn mower off. Remove safety key and batteries. Turn mower over and check: Blade for sharpness - Keep blade sharp. Deck and discharge chute for clogging.</p> <p>C. Wheel height adjustment may be set too low for grass condition. Raise cutting height.</p>
4. Mower is too hard to push.	<p>A. Raise cutting height to reduce deck drag on grass. Check each wheel for free rotation.</p>
5. Mower is abnormally noisy and vibrates.	<p>A. Release Operating Bail to turn mower off. Remove safety key and batteries. Turn mower on side and check blade to ensure it has not been bent or damaged. If blade is damaged, replace with a replacement blade. If the underside of the deck is damaged return mower to an Authorized service center.</p> <p>B. If there is no visible damage to the blade and the mower still vibrates: Release Operating Bail to turn mower off, Remove safety key and batteries, and remove blade. Rotate blade 180 degrees and retighten. If mower still vibrates, return the mower to an authorized service center.</p>
6. Battery charger LED's not on.	<p>A. Check plug connection.</p> <p>B. Replace charger.</p>
7. Battery charger LED does not flip to green.	<p>A. Battery needs to be diagnosed. Take to authorized service center.</p>

8. Mower not picking up clippings with the Grass Collection Bag.	<p>A. Remove mulch plate when bagging.</p> <p>B. Chute clogged. Release Operating Bail to turn mower off. Remove safety key and batteries. Clear chute of grass clippings.</p> <p>C. Too much cut grass. Raise cutting height of wheels to shorten length of the cut.</p> <p>D. Bag full. Empty bag more often.</p>
9. When mulching there are clippings visible.	<p>A. Too much cut grass. Raise cutting height of wheels to shorten length of the cut. Do not cut off more than 1/3 of total length.</p> <p>B. Check blade for sharpness. Always keep blade sharp.</p>
10. Low or diminished run-time after many uses	<p>A. Return to Authorized Service location - may need new battery.</p>
11. The battery charger LED flashes red and the battery can't be charged.	<p>A. The battery overheats after continuous use. Remove battery from the charger and allow it to cool to 42°C or less.</p>

ENVIRONMENTAL PROTECTION



Disposal

The machine, its accessories and packaging materials should be sorted for environmentally friendly recycling. The plastic components are labeled for categorized recycling.

ОБЩИЕ ПРАВИЛА ТЕХНИКИ БЕЗОПАСНОСТИ



ПРЕДУПРЕЖДЕНИЕ! ВНИМАТЕЛЬНО ОЗНАКОМЬТЕСЬ С ИНСТРУКЦИЯМИ.

Невыполнение всех нижеприведенных инструкций и рекомендаций может привести к поражению электрическим током, пожару и серьезным травмам.

Внимательно прочитайте инструкцию, что позволит обеспечить безопасную работу косилки.

СОХРАНИТЕ ЭТИ ИНСТРУКЦИИ!

- Данный аппарат не предназначен для использования людьми (включая детей) с недостаточными физическими, психическими или умственными способностями, необученными или неосведомленными лицами. В случае использования аппарата упомянутыми лицами необходим надзор за ними (или прямые указания по применению) со стороны лица, отвечающего за их безопасность.
- Дети в таких случаях должны находиться под наблюдением во избежание баловства или игр с данным аппаратом.
- Прибор следует использовать только блоком питания, поставляемым с машиной.

ОБУЧЕНИЕ

- a) Внимательно прочитайте инструкции. Ознакомьтесь с регуляторами и правильным использованием оборудования;
- b) Никогда не позволяйте детям или лицам, не ознакомленным с этими инструкциями, работать с газонокосилкой. Местные нормы могут ограничивать возраст оператора;
- v) Никогда не выполняйте скашивание вблизи людей и, в особенности, детей или домашних животных;
- г) Помните, что оператор или пользователь несет ответственность за несчастные случаи или опасность для других людей или их собственности.

ПОДГОТОВКА

- a) При скашивании, всегда носите надежную обувь и длинные брюки. Не работайте с оборудованием босиком или в открытых сандалиях;
- b) Тщательно проверьте место, где предполагается использование оборудования, и удалите все объекты, которые могут отбрасываться машиной;
- v) Перед использованием всегда проводите осмотр, чтобы убедиться, что лезвие, болты лезвия и режущий узел не изношены или повреждены. Заменяйте изношенные или поврежденные лезвия и болты в комплектах для сохранения балансировки;
- d) При работе с косилкой, имеющей несколько

ножей, соблюдайте осторожность, так как вращение одного ножа может привести к вращению остальных ножей.

ЭКСПЛУАТАЦИЯ

- a) Косите только в дневное время или при хорошем искусственном освещении;
- b) Избегайте работы с оборудованием в мокрой траве там, где возможно;
- c) Всегда проверяйте свою точку опоры на склоне;
- d) Ходите, никогда не бегайте;
- e) В случае колесных роторных машин скашивайте попеременно склоны, но никогда не скашивайте вверх и вниз;
- f) Проявляйте исключительную осторожность при смене направления на склонах;
- g) Не проводите скашивание на слишком крутых склонах;
- h) Будьте предельно осторожны при реверсировании направления или подтягивании газонокосилки к себе;
- i) Остановите лезвие(я), если газонокосилку необходимо наклонить для транспортировки при пересечении поверхностей, отличных от травы, а также при транспортировке газонокосилки в и из зоны, которую необходимо окосить;
- j) Никогда не управляйте газонокосилкой с неисправным защитным кожухом или без установленных устройств безопасности, например отражателей и/или уловителей;
- k) включайте двигатель в соответствии с инструкциями, держа ногивдали от лезвий;
- l) Не наклоняйте газонокосилку при включении мотора, за исключением случаев, когда она должна быть наклонена для пуска. В этом случае не наклоняйте её больше, чем абсолютно необходимо, и поднимайте только ту часть, которая удалена от оператора;
- m) Не ставьте руки или ноги вблизи вращающихся деталей или под ними. Всегда держитесь вдали от выпускного отверстия;
- n) Не поднимайте и не переносите газонокосилку, когда ее двигатель работает;
- o) Не касайтесь лезвия до съема блокирующего устройства. А лезвия не остановятся полностью;
- p) снимайте блокирующее устройство:
 - каждый раз, когда вы оставляете машину без присмотра;
 - перед очисткой засорения;
 - перед проверкой, чисткой или работой на машине;
 - после удара о посторонний объект; посмотрите газонокосилку на предмет повреждений и при необходимости выполните ремонт;
 - если газонокосилка начинает ненормально вибрировать (немедленно поверьте);

ОБСЛУЖИВАНИЕ И ХРАНЕНИЕ

- a) Следите за затяжкой всех гаек, болтов и винтов для того, чтобы быть уверенным в том, что устройство находится в безопасном рабочем

- состоянии.
- b) Для уменьшения опасности воспламенения, очищайте аккумуляторный отсек от травы, листьев или избытка смазки;
 - c) Периодически проверяйте улавливатель травы на износ или повреждение.
 - d) Убедитесь в том, что используются только сменные режущие приспособления подходящего типа;

ПРАВИЛА ТЕХНИКИ БЕЗОПАСНОСТИ ДЛЯ АККУМУЛЯТОРНОЙ БАТАРЕИ

- a) **Не допускается разбирать, вскрывать, измельчать элементы питания и аккумуляторную батарею.**
- b) **Не допускается накоротко замыкать элементы питания или аккумулятор. Не допускается беспорядочно хранить элементы питания или аккумулятор в коробке или ящике, где они могут замкнуть друг друга или могут быть замкнуты другими металлическими предметами.** Если аккумуляторная батарея не используется, держите ее подальше от металлических предметов, таких как зажимы, монеты, гвозди, винты и прочие металлические предметы небольшого размера, которые могут соединить клеммы друг с другом. Короткое замыкание клемм батареи может стать причиной ожогов или пожара.
- c) **Не допускается подвергать аккумуляторную батарею воздействию высоких температур или пламени. Избегайте хранения аккумуляторной батареи в местах, подверженных воздействию прямого солнечного света.**
- d) **Не допускается подвергать аккумуляторную батарею механическим ударам**
- e) **В случае протечки аккумуляторной батареи, не допускайте контакта электролита с кожей или глазами. В случае такого контакта необходимо промыть пораженный участок обильным количеством воды и обратиться за медицинской помощью.**
- f) **Аккумуляторную батарею необходимо содержать в чистоте и сухости.**
- g) **В случае загрязнения контактов аккумуляторной батареи их необходимо протереть чистой сухой тканью.**
- h) **Аккумуляторную батарею необходимо заряжать перед использованием. Всегда следуйте данной инструкции и используйте правильный порядок зарядки.**
- i) **Не допускается оставлять аккумулятор на зарядном устройстве, если он не используется.**
- j) **После продолжительного хранения может потребоваться несколько раз зарядить и разрядить аккумуляторную батарею для**

достижения максимальной эффективности ее работы.

- k) **Используйте только зарядные устройства, указанные WorkNITRO. Не допускается использовать какие-либо зарядные устройства, за исключением специально предназначенных для данного оборудования.**
- l) **Не допускается использовать какие-либо аккумуляторные батареи, не предназначенные для использования с данным оборудованием.**
- m) **Храните аккумуляторную батарею в местах, недоступных для детей.**
- n) **Следует сохранить оригинальную документацию на издании для будущего использования.**
- o) **По возможности извлекайте аккумуляторную батарею из изделия, если она не используется.**
- p) **Утилизируйте аккумуляторную батарею должным образом.**
- q) **Не используйте с устройством элементы разного производства, емкости, размера или типа.**
- r) **Храните аккумуляторы вдали от воздействия микроволнового излучения и высокого давления.**

УСЛОВНЫЕ ОБОЗНАЧЕНИЯ

15

	<p>Прочтите инструкцию по эксплуатации перед началом эксплуатации этой машины</p>
	<p>Держите посторонних людей на безопасном расстоянии.</p>
	<p>Держите посторонних людей на безопасном расстоянии.</p>



Li-Ion



Li-Ion

Литий-ионный аккумулятор Этот продукт был отмечен символом, связанным с «раздельным сбором» для всех батарейных блоков и батареи. Затем он утилизируется или раскреплен, чтобы уменьшить воздействие на окружающую среду. Батарейный блок могут быть вредны для окружающей среды и здоровья человека, поскольку они содержат вредные вещества.



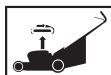
Не поджигать



При неправильной утилизации батареи могут попасть в водный цикл, что может быть опасным для экосистемы. Не выбрасывайте использованные батареи в несортированные бытовые отходы.



Надевайте защитные рукавицы



Перед выполнением любой регулировки или технического обслуживания извлеките аккумулятор из устройства



Вытащите ключ зажигания



STOP

Лезвия продолжают вращаться после выключения машины. Подождите, пока все компоненты машины полностью не остановятся, прежде чем прикасаться к ним.

СПИСОК КОМПОНЕНТОВ



1. РУКОЯТКА РЕГУЛИРОВКИ СКОРОСТИ ХОДА
2. РЕГУЛЯТОР СКОРОСТИ ХОДА
3. РАБОЧАЯ ДУГА
4. РУКОЯТЬ
5. МЕШОК ДЛЯ СБОРА ТРАВЫ
6. РЫЧАГ РЕГУЛИРОВКИ ВЫСОТЫ СКАШИВАНИЯ
7. УКАЗАТЕЛЬ РЕГУЛИРОВКИ ВЫСОТЫ СКАШИВАНИЯ
8. ПЕРЕДНЯЯ РУКОЯТКА
9. КРЫШКА АККУМУЛЯТОРА
10. ЗАДНЯЯ РУКОЯТКА
11. ПРЕДОХРАНИТЕЛЬНЫЙ ЩИТОК
12. КНОПКА ПРЕДОХРАНИТЕЛЬНОЙ БЛОКИРОВКИ
13. КНОПКА БЫСТРОЙ РАЗБЛОКИРОВКИ
14. МУЛЬЧИРУЮЩАЯ ВСТАВКА
15. АККУМУЛЯТОР* (СМ. РИС. С2)
16. ПРЕДОХРАНИТЕЛЬНЫЙ КЛЮЧ(СМ. РИС. F2)
17. ИНДИКАТОР ПИТАНИЯ (СМ. РИС. H)
18. БОЛТ ЛЕЗВИЯ (СМ. РИС. 01)
19. ЛЕЗВИЕ (СМ. РИС. 01)
20. РАСПОРНАЯ ВТУЛКА (СМ. РИС. 01)

*Не все принадлежности, иллюстрированные или описанные включены в стандартную поставку.

ТЕХНИЧЕСКИЕ ХАРАКТЕРИСТИКИ

Тип WG749E WG749E.9 (7 - обозначение оборудования, типового для беспроводных газонокосилок)

	WG749E	WG749E.9
Напряжение	40V Max.(2x20V Max.)**	
Скорость без нагрузки	2800/min	
Ширина платформы	48 cm	

Ширина скашивания	46 cm	
Диаметр переднего колеса	200 mm	
Диаметр заднего колеса	230 mm	
Высота кошения	20–80 mm	
Положения высоты кошения	7	
Емкость травосборника	55 L	
Модель батареи	4.0 Ah (WA3014)	/
Тип батареи	Ионно-литиевая	/
Модель зарядного устройства	WA3883	/
Мощность зарядного устройства	Входная: AC 100-240V~50/60 Hz Выходная 1: 20 V  2.0 A*** Выходная 2: 20 V  2.0 A***	/
Время зарядки (приблиз.) 4.0 Ah (1 pc) 4.0 Ah (2 pcs)	1 hr 2 hrs	/
Вес машины	28.7 kg	27.3 kg

** Напряжение измеряется без нагрузки.
Начальное напряжение батареи достигает 20 вольт.
Номинальное напряжение составляет 18 вольт.
*** Выход зарядного устройства 1 и 2 означает два порта с одинаковым выходным напряжением и током.

ПРИНАДЛЕЖНОСТИ

	WG749E	WG749E .9
Аккумуляторная батарея (WA3014)	2	/
Зарядное устройство (WA3883)	1	/
Травосборник	1	
Мульчирующая вставка	1	

Рекомендуется приобретать все принадлежности в том же магазине, где был приобретен инструмент.
Обратитесь к вспомогательной упаковке для

получения более подробной информации. Помощь и консультацию можно также получить у продавца.

ДАННЫЕ ШУМА

Условное звуковое давление	$L_{PA} = 78.4 \text{ dB(A)}$
K_{PA}	3.0 dB (A)
Удельная мощность звука	$L_{WA} = 91.6 \text{ dB(A)}$
K_{WA}	3.0 dB (A)

Наденьте защиту для ушей.



ИНФОРМАЦИЯ О ВИБРАЦИИ

Вибрация	$a_h < 2.5 \text{ m/s}^2$
Погрешность	$K = 1.5 \text{ m/s}^2$

! **ПРЕДУПРЕЖДЕНИЕ.** Значение вибрации при фактическом использовании электроинструмента может отличаться от заявленного значения в зависимости от следующего:
-Как используется инструмент
-Инструмент находится в хорошем состоянии и ухожен
-Используйте правильный аксессуар для инструмента и убедитесь, что он острый и в хорошем состоянии.
-Плотность захвата на ручках при использовании любых антивибрационных аксессуаров.
-Инструмент используется в соответствии с его конструкцией и этими инструкциями

! **ПРЕДУПРЕЖДЕНИЕ.** Чтобы быть точным, оценка уровня воздействия в реальных условиях использования должна также учитывать все части рабочего цикла, такие как время, когда инструмент выключен и когда он работает на холостом ходу, но не выполняет работу, Это может значительно снизить уровень воздействия за весь рабочий период и помогает минимизировать риск вибрации.

Для минимализации вибрации:
ВСЕГДА используйте острые лезвия
Обслуживайте этот инструмент в соответствии с этими инструкциями и хорошо смазывайте (при необходимости)
Если инструмент следует использовать регулярно, то приобретите антивибрационные аксессуары.

ИНСТРУКЦИЯ ПОЭКСПЛУАТАЦИИ



ПРИМЕЧАНИЕ: Перед началом работы с этим аппаратом прочитайте инструкцию по эксплуатации.

ПРЕДПОЛАГАЕМОЕ ИСПОЛЬЗОВАНИЕ

Этот продукт предназначен для покоса травы.

СБОРКА ИЭКСПЛУАТАЦИЯ

Действие	Рисунок
Сборка	
Установка рукоятки и регулировка ее высоты ПРИМЕЧАНИЕ. По время работы нажмите и удерживайте нажатой кнопку быстрой разблокировки.	См. Рис. А1, А2
Сборка травосборника	См. Рис. В
Установка травосборника на газонокосилку ПРИМЕЧАНИЕ: Извлеките мульчирующую вставку из газонокосилки перед установкой травосборника. ПРИМЕЧАНИЕ: Слегка нажмите на травосборник, чтобы убедиться в том, что он полностью установлен	См. Рис. С1, С2, С3
Извлечение / опорожнение травосборника ПРЕДОСТЕРЕЖЕНИЕ! Необходимо убедиться в том, что предохранительный клапан закрывает выпускной патрубок перед использованием машины. Никогда не поднимайте предохранительный клапан, когда газонокосилка используется без установленного травосборника.	См. Рис. D1,D2
Установка мульчирующей вставки	См. Рис. Е

Извлечение / установка аккумуляторной батареи
Перед установкой аккумулятора вставьте защитный ключ..

ПРИМЕЧАНИЕ:

- Эта машина будет работать только тогда, когда установлены 2 батареи. Пожалуйста, всегда используйте две батареи одинаковой емкости и полностью зарядите обе батареи.
- Когда вы используете две батареи с разной мощностью, машина будет работать только в соответствии с мощностью менее емкой батареи.

См. Рис. F1, F2

Проверка состояния заряда аккумуляторной батареи
ПРИМЕЧАНИЕ: Рис. G1 относится только к аккумуляторной батарее со световым индикатором батареи.

См. Рис.G1

Зарядка аккумуляторной батареи
ПРИМЕЧАНИЕ: Аккумуляторные батареи поставляются незаряженными. Каждая батарея должна быть полностью заряжена перед первой эксплуатацией газонокосилки. Всегда полностью заряжайте две батареи одновременно. Более подробная информация приведена в соответствующей главе руководства к зарядному устройству.

См. Рис.G2


ЭКСПЛУАТАЦИЯ

Индикатор заряда батареи на агрегате
Подробности смотрите в разделе СОСТОЯНИЕ БАТАРЕИ.
ВАЖНО
Когда горит только один индикатор, по крайней мере одна батарея почти разряжена и нуждается в зарядке, даже если газонокосилка все еще способна косить траву.
Продолжение эксплуатации газонокосилки, когда батарея находится в таком разряженном состоянии, может снизить срок ее службы и производительность. Если ни один индикатор не горит, по крайней мере одна батарея вставлена не до конца, либо батарея может быть неисправна; убедитесь в том, что обе батареи были плотно вставлены в свои гнезда.

См. Рис.Н

Запуск и выключение



См. Рис.И1,И2

Система хода	См. Рис. J
Регулировка высоты кошения  ПРЕДУПРЕЖДЕНИЕ! Перед регулировкой высоты остановитесь, отпустите рабочую дугу и дождитесь, пока двигатель остановится. После выключения газонокосилки ножи продолжают вращаться и могут стать причиной травмы. Запрещается касаться вращающихся ножей	См. Рис. K
Хранение	См. Рис. ,L1,L2

Одна лампа мигает трижды за цикл.	По крайней мере, одна батарея горячая, дождитесь их охлаждения до начала повторного запуска.
Четыре лампы мигают дважды за цикл.	Машина перегружена. Поднимите высоту покоса или медленно опускайте.

СОСТОЯНИЕ БАТАРЕИ (См. Рис. H)

Перед началом или после использования нажмите кнопку рядом с индикатором питания на машине, чтобы проверить заряд аккумуляторной батареи. Во время работы заряд батареи будет автоматически указываться индикатором заряда. Индикатор постоянно детектирует и отображает состояние батареи следующим образом. Для машины с 2 аккумуляторными батареями разной мощности на индикаторе питания отображается состояние батареи с наименьшей мощностью.

Статус индикатора	Состояние батареи
Горят пять зеленых индикаторов 	Две батареи находятся в полностью заряженном состоянии.
2, 3, или 4 лампы горят.	Чем больше горит ламп, тем больше емкость аккумулятора.
1 лампа  горит.	По меньшей мере одна батарея разряжена и должна быть заряжена.
Лампы не горят.	Как минимум одна батарея плохо установлена или неисправна.
Одна лампа мигает дважды за цикл.	По крайней мере, одна батарея разряжена, пожалуйста, перезарядите две батареи сразу перед повторным использованием или хранением.

СОВЕТЫ ПО МУЛЬЧИРОВАНИЮ

Во время мульчирования газонокосилка мелко измельчает траву и разбрасывает ее по газону. В нормальных условиях мульча из травы быстро разлагается и доставляет в почву питательные вещества. Просмотрите следующие рекомендации по оптимальному мульчированию.

- 1) Избегайте скашивания влажной травы после дождя или росы. При скашивании влажной травы возможно образование липкой комков, которые препятствуют мульчированию и сокращают срок службы ножей. Лучшее время для кошения травы — вторая половина дня, когда трава сухая и на скошенные области не попадает прямая солнечная свет.
- 2) Для максимально эффективного мульчирования установите такую высоту скашивания, чтобы срезалась примерно одна треть от длины травы, но не более 40 мм за один проход. В случае запущенного газона, возможно, потребуется увеличить высоту скашивания, чтобы уменьшить усилие толкания и предотвратить перегрузку двигателя. Для крайне сложного мульчирования рекомендуется сначала косить траву с большой высотой скашивания, а затем с заключительной высотой. Или же уменьшить ширину реза скорость скашивания.
- 3) Для получения лучшего результата следите за тем, чтобы в корпусе газонокосилки не скапливалась трава. Периодически выключайте газонокосилку и дождитесь, пока ножи полностью не остановятся. Затем снимите защитный ключ и установите газонокосилку на бок. С помощью подходящего предмета, например, прутка, удалите траву вокруг области ножа. Соблюдайте осторожность, кромки ножа очень острые. При скашивании влажной или новой выросшей травы чистите область ножей чаще. Также чистите эту область после каждого использования газонокосилки.
- 4) Для некоторых типов травы или в некоторых условиях, возможно, потребуется второе мульчирование для равномерного

распределения травы по газону. При втором скашивании рекомендуется косить траву перпендикулярно (поперек) первого скашивания. НЕ ИЗМЕНЯЙТЕ НАПРАВЛЕНИЕ СКАШИВАНИЯ ТАК, ЧТОБЫ ГАЗОНОКОСИЛКИ ПЕРЕМЕЩАЛАСЬ ВНИЗ ПО СКЛОНУ.

- 5) Изменяйте направление скашивания каждую неделю. Это помогает предотвратить формирование слоя скошенной травы и гранулирование газона.

ЗОНА ПОКОСА

На площадь кошения могут влиять несколько факторов, такие как высота кошения, влажность газона, длина травы и её плотность. Кроме того, запуски остановки газонокосилки слишком много раз во время работы уменьшит площадь покоса. В таблице ниже приведена взаимосвязь между условиями и площадью скашивания.

Высота скашивания	Рекомендованная площадь скашивания (максимальная)
Срезается от 8 см до 6 см	С батареями 2*20 В/4,0 Ач
	Вплоть до 500 м ² *

* Проверялось с двумя полностью заряженными аккумуляторами.

Советы:

- 1) Рекомендуется чаще косить газон в обычном темпе, а также не запускать / останавливать косилку слишком часто во время работы. Всегда используйте две одинаковые батареи и одновременно их заряжайте.
- 2) Для обеспечения наилучшей производительности, пожалуйста, используйте полностью заряженный аккумулятор и всегда режьте 1/3 или менее от высоты травы.
- 3) Медленно ходите при резке травы, чтобы производить более эффективную резку.
- 4) Избегайте покоса мокрой травы, иначе она будет прилипать к нижней части деки
- 5) Более высокая высота кошения должна применяться к новой или густой траве, и она продлит срок службы батареи.

ОБСЛУЖИВАНИЕ



ПРЕДУПРЕЖДЕНИЕ! Перед снятием мешка для сбора травы остановите газонокосилку, снимите защитный ключ и аккумуляторы. Для

обеспечения длительного и надежного обслуживания регулярно выполняйте следующие процедуры технического обслуживания. Проверьте наличие очевидных дефектов, таких как ослабленное, тупое или поврежденное лезвие, ослабленные фитинги и изношенные или поврежденные компоненты. Убедитесь, что крышки защиты не повреждены и правильно прикреплены к косилке. Всегда выполняйте техническое обслуживание или ремонт перед эксплуатацией косилки. Если газонокосилка все же вышла из строя, несмотря на регулярное техническое обслуживание, обратитесь за помощью в нашу службу поддержки клиентов.

ЗАТОЧКА ЛЕЗВИЯ

СОХРАНЯЙТЕ ЛЕЗВИЕ ОСТРЫМ ДЛЯ ЛУЧШЕГО КОШЕНИЯ ТРАВЫ НОСИТЕ ЗАЩИТНЫЕ ОЧКИ ВО ВРЕМЯ СНЯТИЯ, ЗАТОЧКИ И УСТАНОВКИ ЛЕЗВИЯ. УБЕДИТЕСЬ, ЧТО ЗАЩИТНЫЙ КЛЮЧ И АККУМУЛЯТОРЫ СНЯТЫ. Заточка лезвия дважды во время сезона кошения обычно достаточно. Песок вызывает затупление лезвия. Если ваш газон имеет песчаную почву, может потребоваться более частая заточка. НЕМЕДЛЕННО ЗАМЕНИТЕ ПОВРЕЖДЕННОЕ ЛЕЗВИЕ.

ВО ВРЕМЯ ЗАТОЧКИ ЛЕЗВИЯ(СМ. РИС.М):

1. Убедитесь, что лезвие остается равномерно сбалансированным.
2. Затяните лезвие под предыдущим углом кошения.
3. Заострите режущие кромки на обоих концах лезвия, удалив равное количество материала с обоих концов.

ПРИМЕЧАНИЕ.

1. Убедитесь, что косилка выключена. Снимите ключ и аккумуляторы.
2. Храните косилку в стоячем положении. ДЛЯ ЗАТОЧКИ ЛЕЗВИЯ В ТИСКАХ (СМ.

БАЛАНСИРОВКА ЛЕЗВИЯ (СМ. РИС.Н)

Проверьте баланс ножа. Для этого установите его центральным отверстием N-1 на жало отвертки N-2, зажатой в горизонтальном положении в тисках N-3. Если один из концов ножа вращается вниз, обработайте его напильником. Нож правильно сбалансирован, если он остается на месте.

ОБСЛУЖИВАНИЕ ЛЕЗВИЯ (СМ. РИС.01, 02)

Заменяйте нож газонокосилки через каждые 50 часов кошения или раз в 2 года, в зависимости от того, что наступит раньше, и независимо от состояния ножа. Порядок снятия и замены ножа. Для снятия ножа потребуются садовые перчатки (не входят в комплект поставки) и гаечный ключ (не входит в комплект поставки). Убедитесь, что защитный ключ и аккумуляторы не установлены. Вставьте деревянный клин между ножом и платформой газонокосилки, чтобы заблокировать вращение ножа. Выкрутите гаечный ключом болт ножа, вращая его против часовой стрелки. Снимите нож. При установке разместите нож так, чтобы режущие кромки были направлены к земле. Затем надежно затяните болт ножа.

ХРАНЕНИЕ (СМ. РИС. L1, L2)

Остановите газонокосилку, обязательно снимите защитный ключ и аккумуляторы. Тщательно очистите наружную поверхность изделия с помощью мягкой щетки и ткани. Запрещается использовать воду, растворители или полироли. Удалите всю траву и грязь, особенно с вентиляционных отверстий.

Установите изделие на бок и очистите область ножа. Уплотненные обрезки травы в области ножа удалите с помощью деревянного или пластикового прутка. Храните устройство в сухом месте. Не размещайте на изделии другие предметы.

Для упрощения хранения, удерживая нажатой кнопку быстрой разблокировки, сложите рукоять.

ПРОБЛЕМА РЕШЕНИЕ

Проблема	Решение
1. Газонокосилка не движется при активации рабочей дуги.	<p>А. Убедитесь, что защитный ключ правильно установлен и кнопка предохранительной блокировки полностью нажата.</p> <p>В. Отпустите рабочую дугу, чтобы выключить газонокосилку. Снимите защитный ключ и аккумуляторы, переверните газонокосилку и убедитесь в том, что лезвие вращается свободно. Если это не так, обратитесь в авторизованный сервисный центр. Лезвие должно свободно вращаться.</p> <p>С. Была ли полностью заряжена батарея? Подключите зарядное устройство и дождитесь появления зеленого света</p>
2. Двигатель останавливается во время кошения	<p>А. Отпустите рабочую дугу, чтобы выключить газонокосилку. Снимите защитный ключ и аккумуляторы, переверните газонокосилку и убедитесь в том, что лезвие вращается свободно. Если это не так, обратитесь в авторизованный сервисный центр. Лезвие должно свободно вращаться.</p> <p>В. Поднимите высоту кошения до самого высокого положения и запустите косилку.</p> <p>С. Была ли полностью заряжена батарея? Подключите зарядное устройство и дождитесь появления зеленого света.</p> <p>Д. Избегайте перегрузки газонокосилки. Уменьшите скорость резания, медленнее толкайте косилку или поднимите уровень высоты кошения. Или сделайте оба действия</p>
3. Косилка работает, но результат неудовлетворителен или кошение происходит прерывисто.	<p>А. Была ли полностью заряжена батарея? Подключите зарядное устройство и дождитесь появления зеленого света.</p> <p>В. Отпустите рабочую дугу, чтобы выключить газонокосилку. Снимите защитный ключ и аккумуляторы. Переверните газонокосилку проверьте остроту лезвия. Поддерживайте лезвие в заточенном состоянии. Также проверьте деку и разгрузочный желоб на предмет засора.</p> <p>С. Уровень высоты покоса может быть слишком низким для данной травы. Увеличьте высоту покоса.</p>
4. Косилку тяжело толкать.	<p>А. Поднимите высоту резки, чтобы уменьшить сопротивление деки на траве. Проверьте каждое колесо на свободное вращение.</p>

<p>5. Косилка слишком шумная или вибрирует.</p>	<p>A. Отпустите рабочую дугу, чтобы выключить газонокосилку. Снимите защитный ключ и аккумуляторы. Поверните косилку набок и проверьте лезвие, чтобы убедиться в том, что оно не погнуто и не повреждено. Если лезвие повреждено, замените его новым. Если нижняя сторона деки повреждена, верните газонокосилку в авторизованный сервисный центр. B. Если нет никакого видимого повреждения лезвия, а косилка продолжает вибрировать: Release Operating Bail to turn mower off. Remove safety key and batteries, и снимите лезвие. Поверните лезвие на 180 градусов и зафиксируйте его. Если косилка продолжает вибрировать, верните ее в авторизованный сервисный центр.</p>	<p>9. При мульчировании видны обрезки.</p>	<p>A. Слишком много срезанной травы. Увеличьте высоту кошения, чтобы сократить длину разреза. Не обрезайте более 1/3 общей длины травы за раз. B. Проверьте лезвие на остроту. Всегда сохраняйте лезвие острым.</p>
<p>6. Индикатор зарядного устройства не загорается.</p>	<p>A. Проверьте вилку. B. Замените зарядное устройство.</p>	<p>10. Малое или уменьшенное время работы после частых применений.</p>	<p>A. Верните в авторизованный сервисный центр - может потребоваться новый аккумулятор.</p>
<p>7. Индикатор зарядного устройства не загорается зеленым.</p>	<p>A. Батарею необходимо проверить. Обратитесь в авторизованный сервисный центр.</p>	<p>11. Светодиод зарядного устройства мигает красным, а батарея не заряжается.</p>	<p>A. После непрерывного использования батарея перегревается. Извлеките аккумулятор из зарядного устройства и дайте ему остыть до 42 °C или менее.</p>
<p>8. Косилка не собирает траву в мешок для сбора.</p>	<p>A. Снимите пластину для мульчи. B. Засор желоба. Отпустите рабочую дугу, чтобы выключить газонокосилку. Снимите защитный ключ и аккумуляторы. Очистите желоб от обрезков травы C. Слишком много срезанной травы. Увеличьте высоту резки колес, чтобы уменьшить длину среза. D. Мешок полон. Опустошайте мешок чаще.</p>		

ОХРАНА ОКРУЖАЮЩЕЙ СРЕДЫ



Переработка отходов

Машина, ее аксессуары и упаковочные материалы должны быть отсортированы для экологически чистой переработки.

Пластиковые компоненты имеют маркировку для вторичной переработки.

**EAC**

Импортер: ООО «ПОЗИТЕК-ЕВРАЗИЯ»

Адрес: Российская Федерация, 117342, г. Москва, ул. Бутлерова, д. 17, этаж 3 ком 67

Страна производства: КНР

Изготовитель: Позитек Технолоджи (КНР) Ко. Лтд.

Адрес: Донгванг Роуд, 18, Сучжоу Индастриал Парк, Цзянсу, КНР

Срок службы изделия: 6 лет

Срок гарантии: 2 года

Дата производства изделия: указана на изделии

Телефон сервисной службы ООО «ПОЗИТЕК-ЕВРАЗИЯ»: 7 (495) 136-83-96

Электронная почта service.ru@positecgroup.com

WORX NITRO**www.worx.com**

Copyright © 2021, Positec. All Rights Reserved.
AR01581400